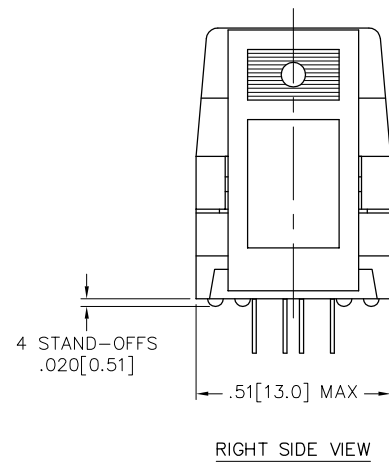
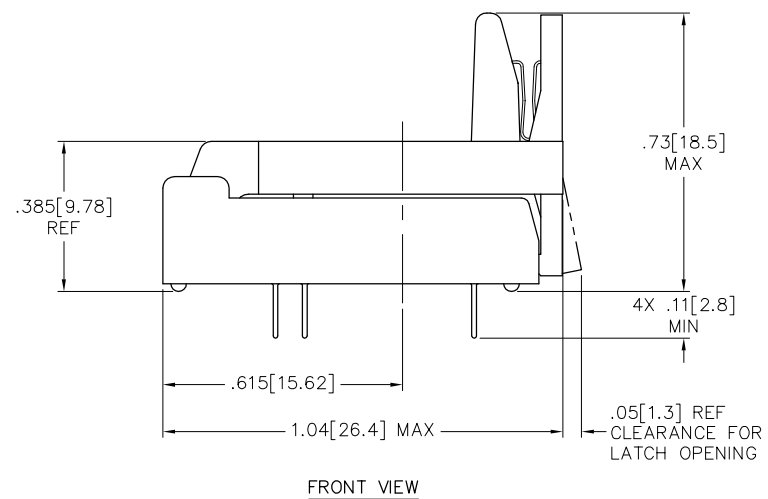
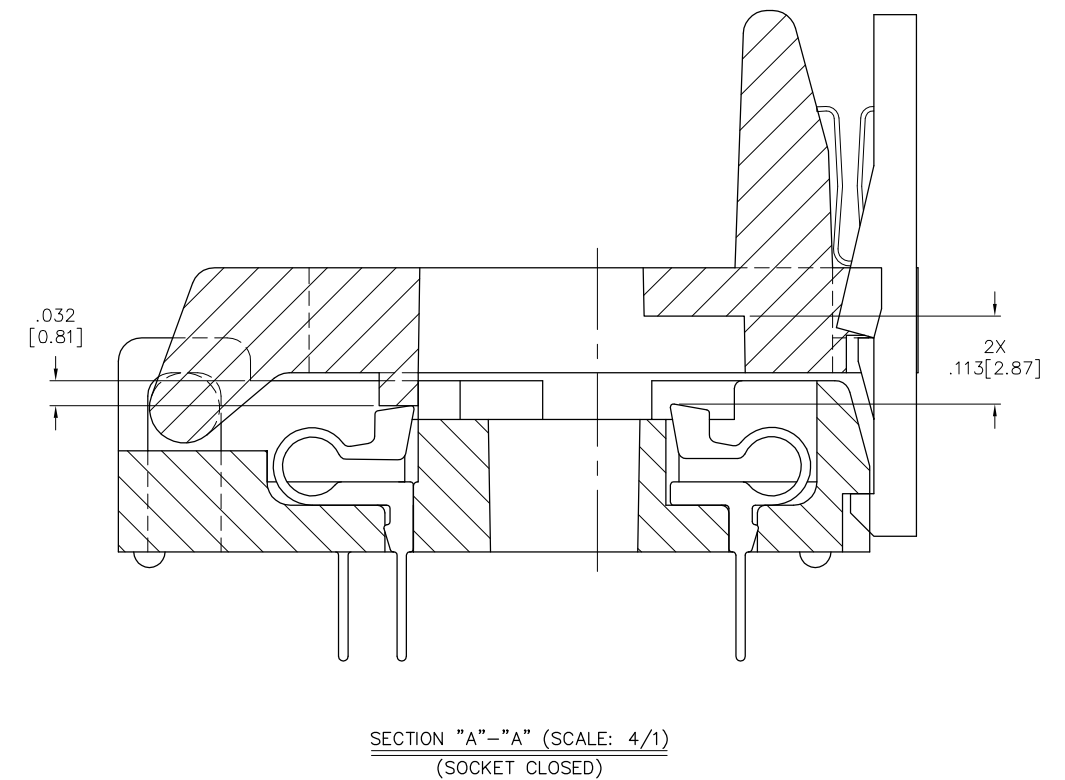
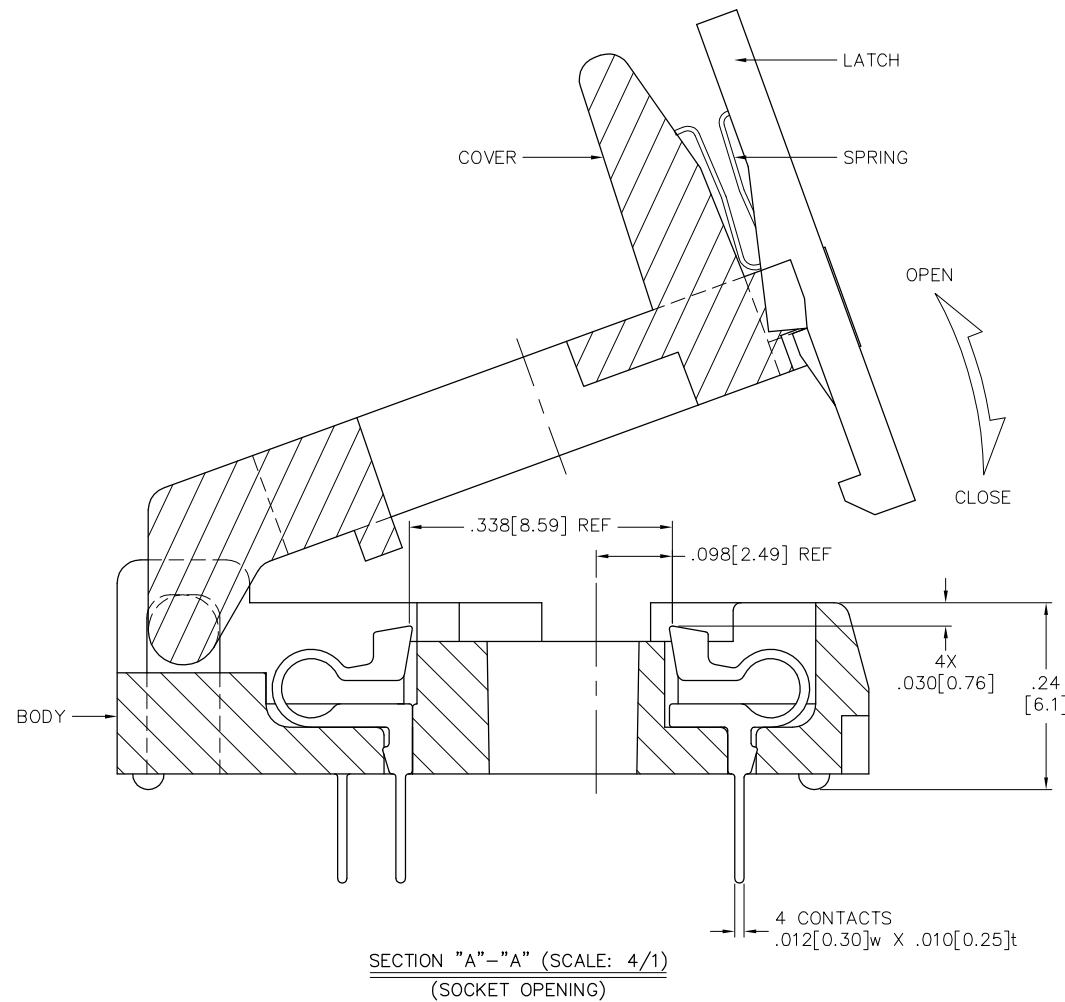
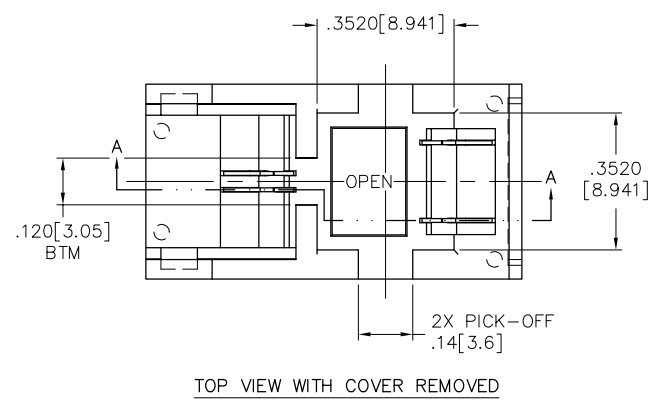
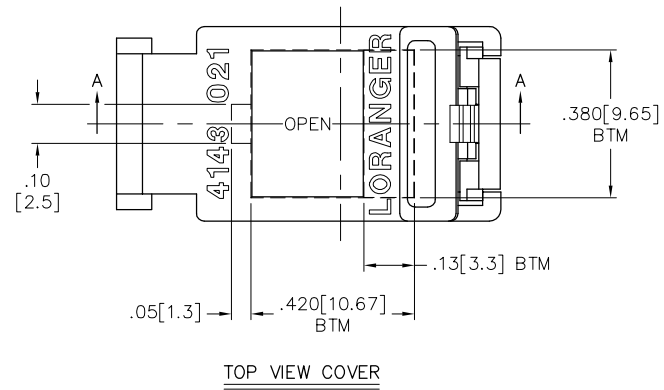



**KELVIN (POWER & SENSE) DESIGN**

REVISION		
symbol	description	initial/date

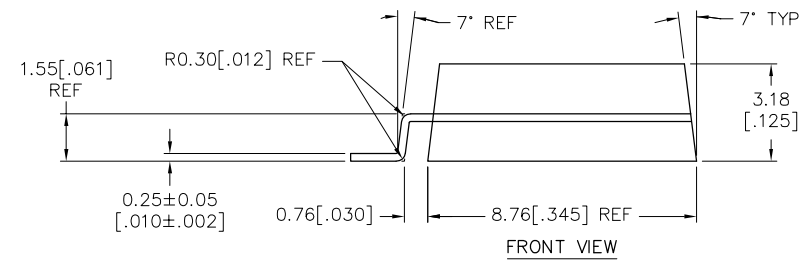
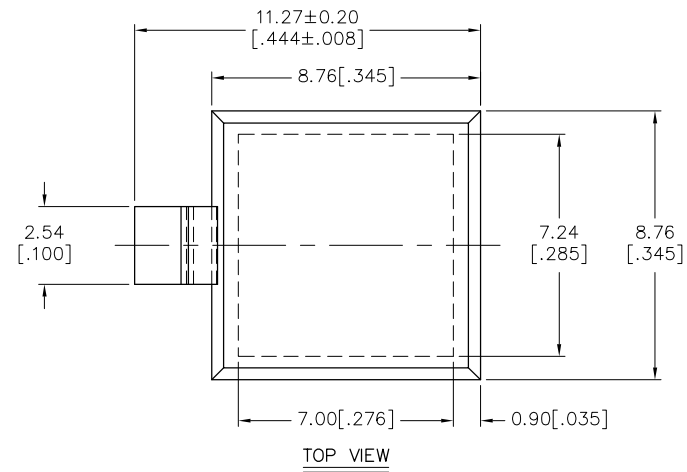


• CONTROLLING DIMENSIONS: INCH

 <p>Loranger International Corporation Warren, PA 16365</p>		<p>NOTICE</p> <p>Drawing is subject to change without notice and is L.I.C. proprietary in design and content. L.I.C. retains all patent rights and exclusive rights of use, manufacture and/or sale. Possession of this drawing does not convey permission to reproduce or manufacture article. Permission shall only be granted in writing and must be signed by an officer of L.I.C.</p>			
				<p>Tolerance In Inches</p> <p>.xx ± .01 fract.</p> <p>.xxx ± .005 ang. ± 1/2°</p> <p>.xxxx ± .0020</p>	<p>Equipment where used</p> <p>1 LEAD SMD</p>
<p>SCALE</p> <p>2 / 1</p>	<p>Orig. Release</p>	<p>DRAFTED by/date</p> <p>JFN/10-20-11</p>	<p>CHECKED by/date</p> <p>CHG/ABR/11-22-11</p>	<p>ISSUE DATE</p>	<p>PAGE NO.</p> <p>1 OF 2</p>

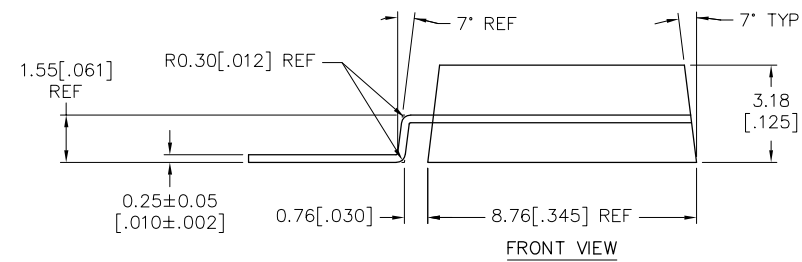
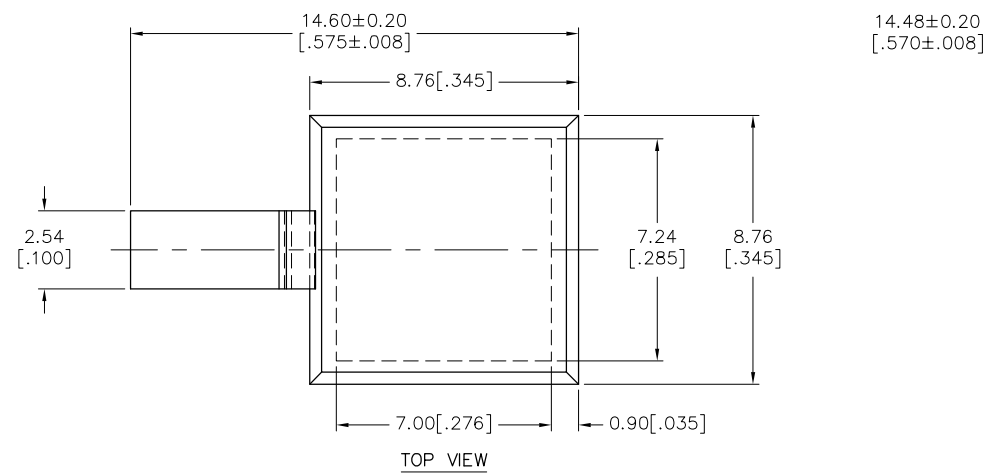
DEVICE TYPE: "8.5kW, Uni-Directional TVS protection device"  
(REFER TO "MICROSEMI" ASM-10A, ASM8.5KPxxe3).

- CONTROLLING DIMENSIONS: mm
- TOLERANCES:  $\pm 0.10$  [.004]



DEVICE TYPE: "8.5kW, Uni-Directional TVS protection device"  
(REFER TO "MICROSEMI" ASM-10A-L, ASM8.5KPxxe3).

- CONTROLLING DIMENSIONS: mm
- TOLERANCES:  $\pm 0.10$  [.004]



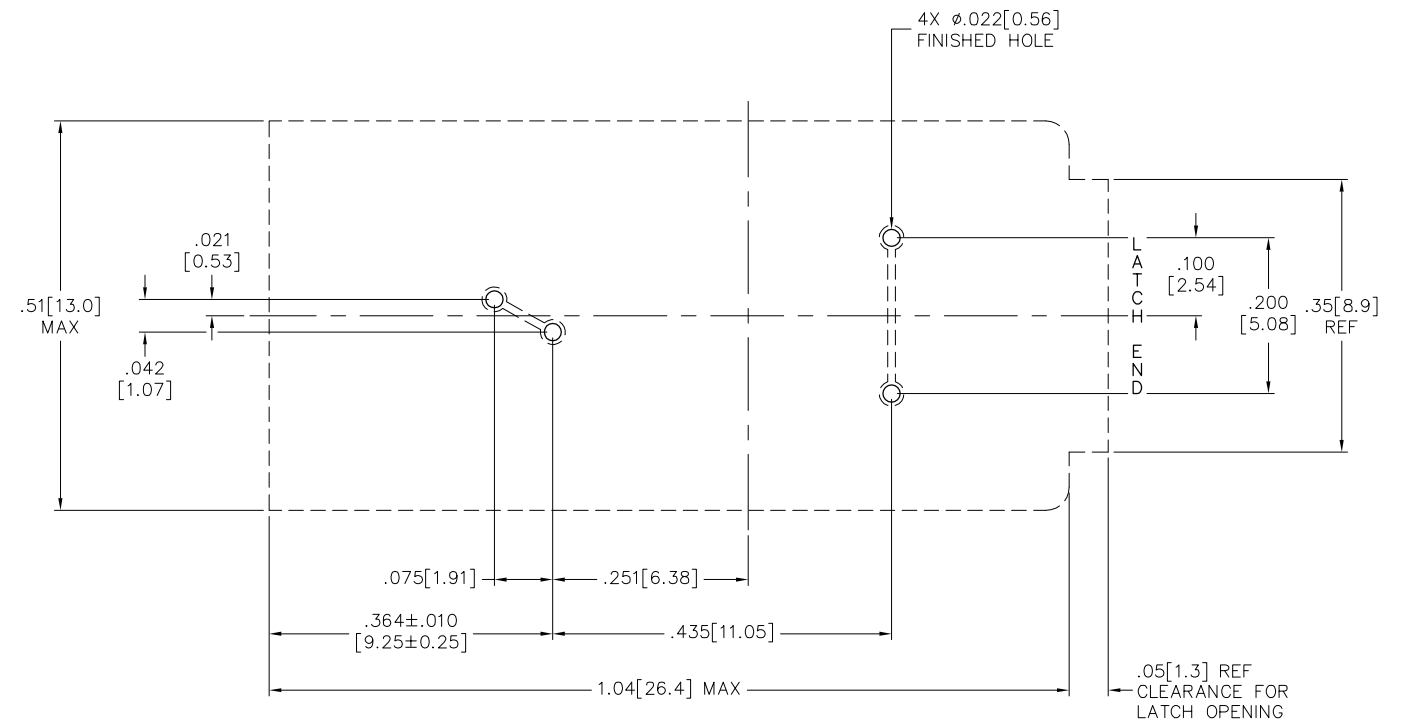
NOTE: ACKNOWLEDGEMENT STATEMENT

LIC REPRESENTS THAT THE SOCKET THAT LIC HAS DEPICTED ON PAGE 1 OF THIS DRAWING WILL WORK CORRECTLY WITH A PACKAGE HAVING DIMENSIONS WITHIN THE LIMITS SHOWN ON PAGE 2 ABOVE. PACKAGES WHICH DEVIATE FROM THESE DIMENSIONAL LIMITATIONS MAY NOT FIT THE SOCKET PROPERLY AND/OR MAY NOT MAKE CORRECT ELECTRICAL CONTACT. THE GREATER THE DEVIATION(S), THE GREATER THE RISK THAT THESE PROBLEMS WILL OCCUR.

REVISION		
symbol	description	initial/date

RECOMMENDED P.T.H. PATTERN (VIEW FROM THE TOP)

- CONTROLLING DIMENSIONS: INCH



Tolerance In Inches

.xx ± .01 fract.  
.xxx ± .003 ang. ± 1/2°  
.xxxx ± .0030

NOTICE  
Drawing is subject to change without notice and is L.I.C. proprietary in design and content. L.I.C. retains all patent rights and exclusive rights of use, manufacture and/or sale. Possession of this drawing does not convey permission to reproduce or manufacture article. Permission shall only be granted in writing and must be signed by an officer of L.I.C.

Equipment where used: 1 LEAD SMD  
Part Description: KELVIN SOCKET  
PROD. NO. 04143 021 X215

SCALE: 4/1  
Orig. Release  
DRAFTED by/date: JFN/10-20-11  
CHECKED by/date: CHG/ABR/11-22-11  
ISSUE DATE  
PAGE NO. 2 OF 2